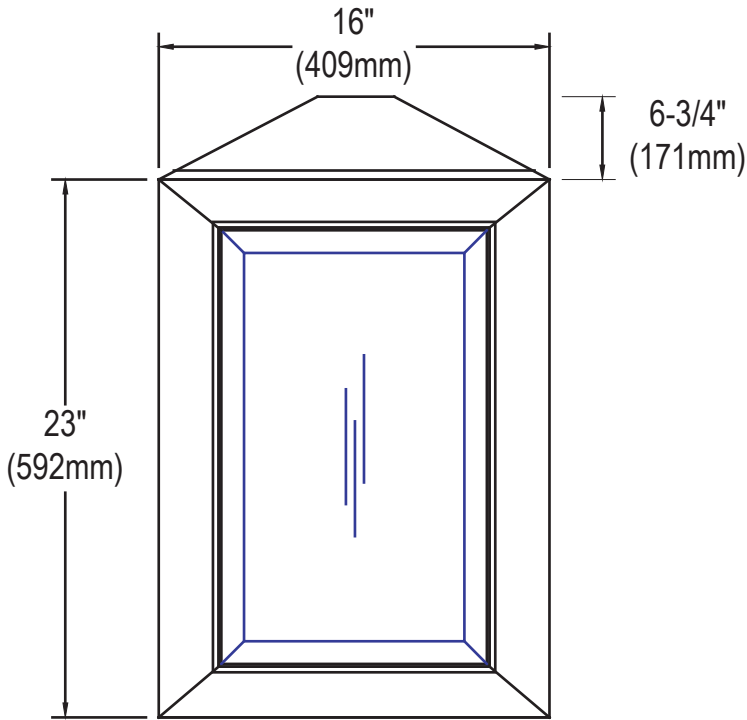
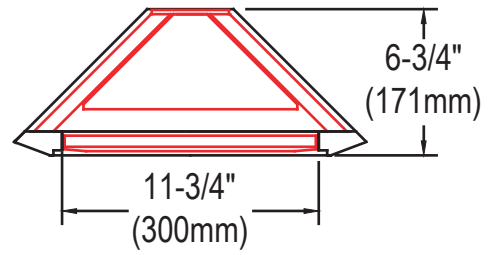


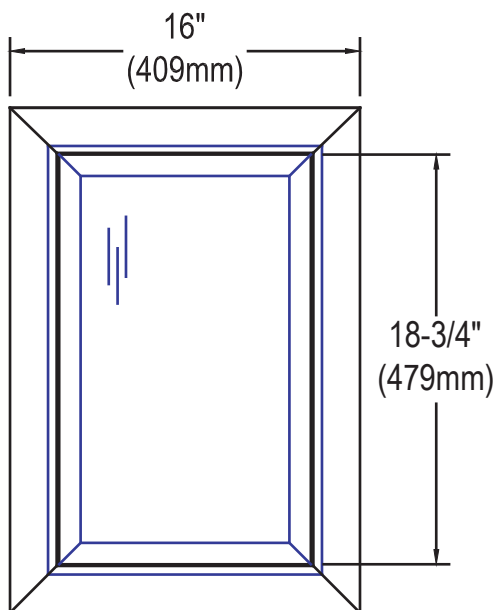
### 1. 3D line drawing



### 2. Top view line drawing



### 3. Front view drawing



### 4. Side view line drawing

